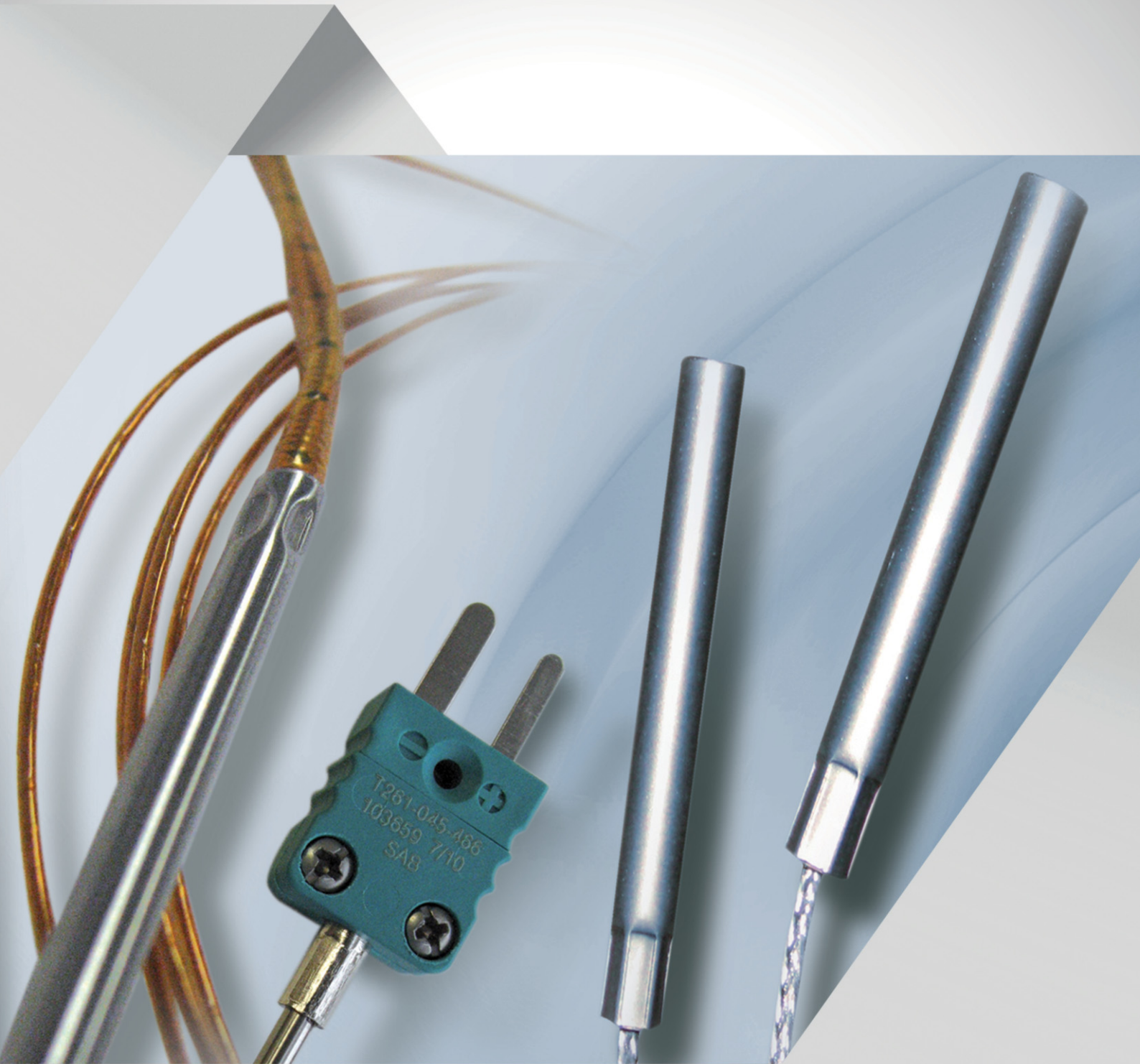
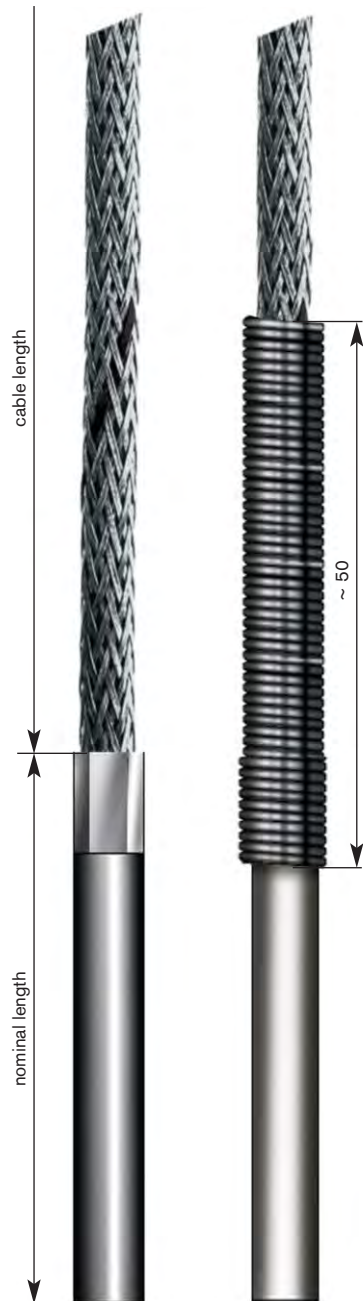


PROBE WITH STAINLESS STEEL SLEEVE



PROBE WITH STAINLESS STEEL SLEEVE

Thermo probe with connection cable T221-228



connection cable	construction	temperature
<input type="checkbox"/> TH 22 LRV 0,22 mm ²	strand/fiber glass/fiber glass/stainless steel wire armouring	+400°C
<input type="checkbox"/> TH 22 LTV 0,22 mm ²	strand/PFA/fiber glass/stainless steel wire armouring	+250°C
<input type="checkbox"/> TH DRR 0,50 mmØ	wire/fiber glass/fiber glass	+400°C
<input type="checkbox"/> TH 22 LTT 0,22 mm ²	strand/PFA/PFA	+250°C

THERMOCOUPLE:

- 1 x type L 1 x type J 1 x type K
 2 x type L 2 x type J 2 x type K other thermocouples: _____

type J and K acc. to DIN EN 60584
type L acc. to DIN 43710 (no longer valid since 04/94)

SLEEVE-Ø

- 3,5 mm 5,0 mm 7,0 mm
 4,0 mm 6,0 mm 8,0 mm other construction: _____

TYPE OF CABLE ENDS:

- bare ends cable lugs M4
 end sleeve other cable ends: _____

CONNECTION CABLE:

- 1,0 m 2,5 m 5,0 m
 1,5 m 3,0 m 10,0 m
 2,0 m 4,0 m other cable length: _____

TYPE OF MEASURING TIP:

- Form A, insulated measuring tip
 Form B, welded measuring tip

KINK PROTECTION:

- with kink protection with fiber glass tube with heat shrinkable sleeve

NOMINAL LENGTH:

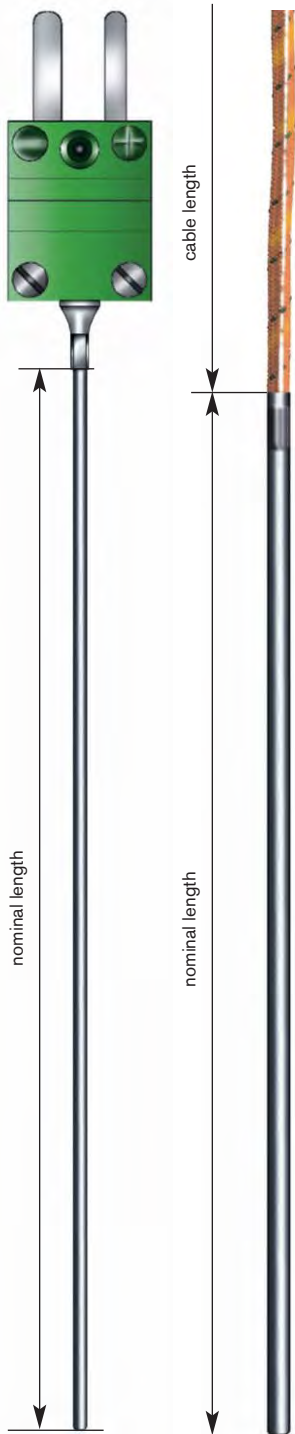
_____ mm



- bent type also available!
- with plate 8 x 15 mm, hole Ø 5 mm
- smaller diameters on request!

PROBE WITH STAINLESS STEEL SLEEVE

Plug-in thermocouple with connection cable T260



connection cable	construction	temperature
<input type="checkbox"/> THEL 0,22 mm ²	strand/fiber glass/fiber glass/Pi foil	+400°C
<input type="checkbox"/> THEL 0,20 mmØ	wire/Pi foil/Pi foil bare wire (+ leg)	+400°C

THERMOCOUPLE:

1 x L 1 x J 1 x K

other thermocouples: _____

type J and K acc. to DIN EN 60584
type L acc. to DIN 43710 (no longer valid since 04/94)

SLEEVE-Ø:

1,5 mm (only possible with THEL 0,20 mmØ)
 3,0 mm

TYPE OF CABLE ENDS:

bare ends cable lugs M4 end sleeve
 miniature plug miniature sockets
 other cable ends: _____

CONNECTION CABLE:

1,0 m 2,5 m 5,0 m
 1,5 m 3,0 m 10,0 m
 2,0 m 4,0 m other cable length: _____

TYPE OF MEASURING TIP:

Form A, insulated measuring tip
 Form B, welded measuring tip

NOMINAL LENGTH:

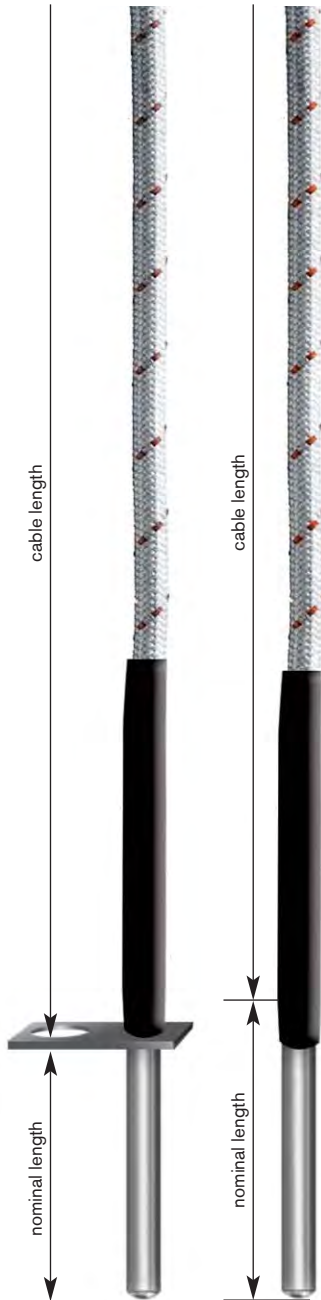
_____ mm



**High temperature
probe
with stainless
steel sleeve!**

PROBE WITH STAINLESS STEEL SLEEVE

Resistance probe with connection cable T521



connection cable	construction	temperature
<input type="checkbox"/> RRL 0,22 mm ²	strand/fiber glass/fiber glass	+400°C

RTD:

1 x Pt 100 class B

1 x Pt 100 class A

other RTDs: _____

Pt 100 gemäß DIN EN 60751

CONNECTION TYPE OF INNER WIRES:

2 – wire circuit

other connection type: _____

SLEEVE-Ø:

3,5 mm

TYPE OF CABLE ENDS:

bare ends

cable lugs M4

end sleeve

other cable ends: _____

CONNECTION CABLE:

1,0 m

2,5 m

5,0 m

1,5 m

3,0 m

10,0 m

2,0 m

4,0 m

other cable length: _____

KINK PROTECTION:

kink protection with shrinkable sleeve

NOMINAL LENGTH:

30 mm

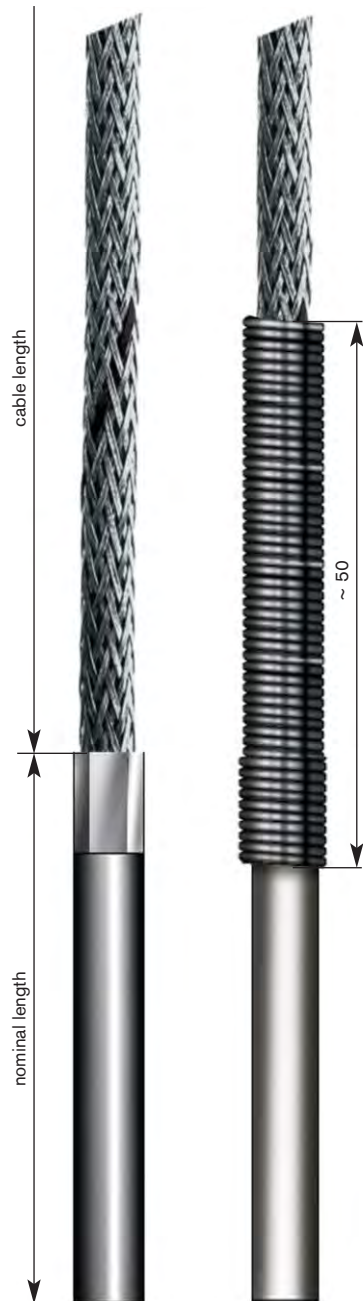
other nominal length: _____ mm



■ with mounting plate
8 x 15 mm,
hole Ø 5 mm

PROBE WITH STAINLESS STEEL SLEEVE

Resistance probe with connection cable T521 – 528



connection cable	construction	temperature
<input type="checkbox"/> TGV 0,18 mm ²	strand/PFA/fiber glass/stainless steel wire armouring	+250°C
<input type="checkbox"/> TTL 0,18 mm ²	strand/PFA/PFA	+250°C
<input type="checkbox"/> RRL 0,22 mm ²	strand/fiber glass/fiber glass	+400°C
<input type="checkbox"/> RRL-VA 0,22 mm ²	strand/fiber glass/fiber glass/stainless steel wire armouring	+400°C
<input type="checkbox"/> LiYY 0,25 mm ²	strand/PVC/ PVC	+ 70°C

RTD:

- 1 x Pt 100 class B
- 1 x Pt 100 class A
- 2 x Pt 100 class B
- 2 x Pt 100 class A

Pt 100 acc. to DIN EN 60751

CONNECTION TYPE OF INNER WIRES:

- 2-wire circuit
- 3-wire circuit
- 4-wire circuit

SLEEVE-Ø

- 3,5 mm
- 4,0 mm
- 5,0 mm
- 6,0 mm
- 7,0 mm
- 8,0 mm
- other construction: _____

TYPE OF CABLE ENDS:

- bare ends
- end sleeves
- cable lugs M4
- other cable ends: _____

CONNECTION CABLE:

- 1,0 m
- 1,5 m
- 2,0 m
- 2,5 m
- 3,0 m
- 4,0 m
- 5,0 m
- 10,0 m
- other cable length: _____

KINK PROTECTION:

- with kink protection
- with fiber glass tube
- with heat shrinkable sleeve

NOMINAL LENGTH:

_____ mm



- bent type also available!
- with plate 8 x 15 mm, hole Ø 5 mm
- smaller diameters on request!

PROBE WITH STAINLESS STEEL SLEEVE

75 years of experience in cable and wire manufacturing as well as in temperature measurement technology turned a one-man business into a company with more than 550 employees.

We prove our strength every year with more than 1500 special products according to customers' requirements. Each product is a new challenge for our creative technical team. We at SAB see ourselves as a manufacturer and a service provider – in the sense of true partnership and the greatest possible customer orientation.

If you need temperature probes, accessories or any technical advice for your next application in temperature measurement, please call us.

For further information material on our individual products, please send us the following fax reply.



Fax reply: 0049 / (0)21 62 / 89 81 56

Please send us info material on the following subjects:

- Protecting armatures and gauge slides
- Mineral insulated thermocouples/
Mineral insulated resistance thermometers
- Compensating and extension cables for
thermocouples/Connection cables for
resistance thermometers
- Temperature measurement in test vehicles
- Temperature measurement in plastic processing
plastic processingindustry/Hot runner technique

Company: _____

Name: _____

Position/title: _____

Address: _____

Tel.: _____

Fax: _____

e-mail: _____

SAB BRÖCKSKES GmbH & Co. KG
Grefrather Straße 204 - 212 b · 41749 Viersen · GERMANY · Tel.: +49/21 62/898-0 · Fax: +49/21 62/898 -101
www.sab-worldwide.com · info@sab-broeckskes.de



SAB BRÖCKSKES GMBH & CO. KG

GREFRATHER STR. 204 - 212 B

41749 VIERSEN · GERMANY

TEL.: +49/2162/898-0

FAX: +49/2162/898-101

WWW.SAB-WORLDWIDE.COM

INFO@SAB-BROECKSKES.DE